

DIGITAL
SHOP
FLOOR



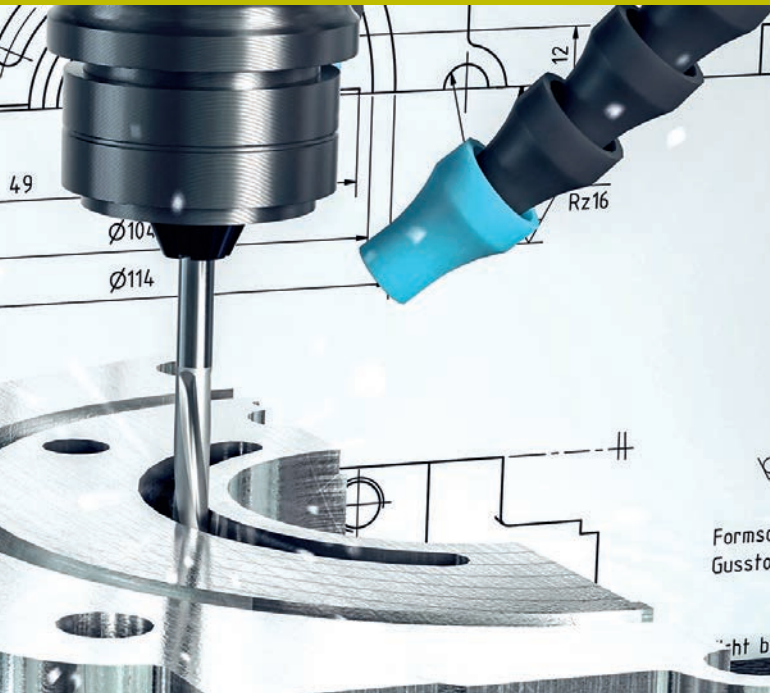
www.digital-shop-floor.heidenhain.com

HEIDENHAIN

PartCalculator

Calculate production costs with ease and flexibility

Detailed values at the press of a button



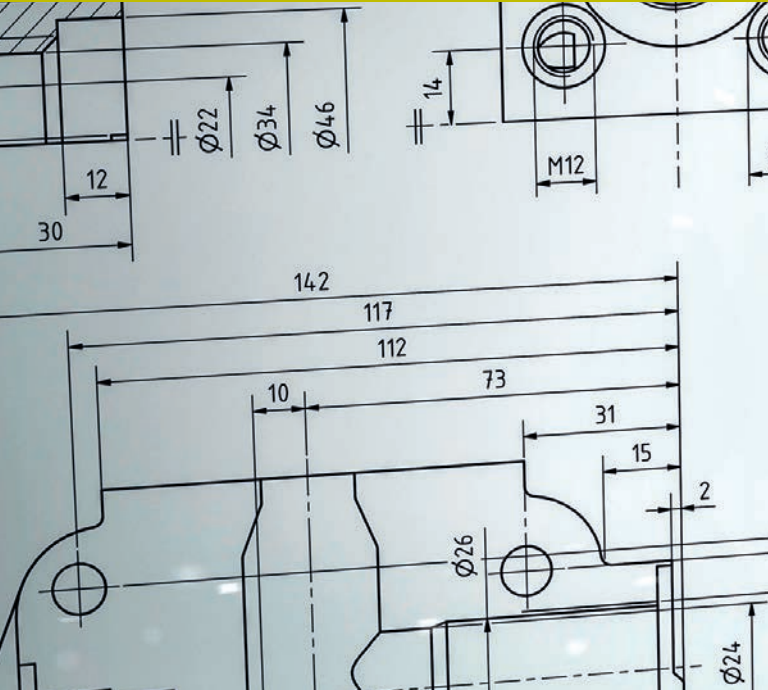
The PartCalculator software from HEIDENHAIN is a very efficient program for calculating the unit costs of milled parts. It analyzes 3D models and technical drawings in order to calculate the production times and costs.

With PartCalculator you quickly and easily generate a clear and comprehensive calculation in just minutes. This keeps you competitive even under high cost pressure and with tight deadlines.

Use PartCalculator for your calculations:

- Display new job costs clearly
- Identify potential savings
- Unburden your employees
- Ensure your competitiveness
- Consider individual cost factors

Particularly easy to use



PartCalculator uses your individual settings to generate a comprehensive cost estimate. All setup times, programming times and production times are listed in detail. The effort required for this is astonishingly low.

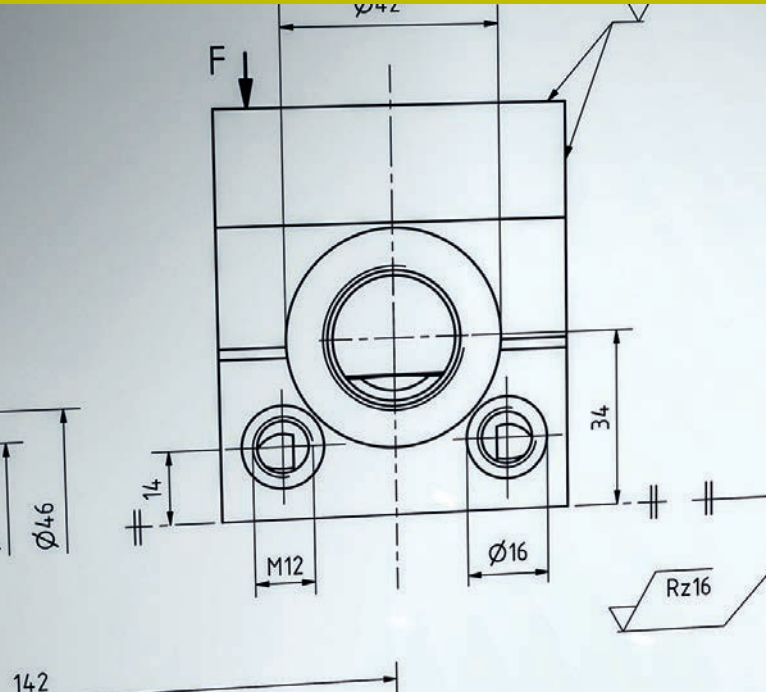
PartCalculator automatically considers these factors:

- Geometric shapes like pockets and slots
- Holes, threads and fits
- General, geometrical and dimensional tolerancing
- Surface quality (Ra)

PartCalculator creates finished calculations quickly:

1. Upload a 3D model and technical drawing
2. Set the calculation parameters
3. Start the calculation

Flexible and customizable



Machine-specific conditions and workpiece properties have a great influence on the actual production costs. With PartCalculator, you can very easily take these conditions and factors into account in the calculation.

Machine-specific settings:

- 3-axis or 5-axis machining
- Size of the machine's work envelope
- Hourly rates
- Basic setup and fixture costs

Additional calculation factors:

- Minimum programming time per order
- Minimum machine setup time per order
- Machine tools
- Overhead costs
- Profit margin

Leverage existing calculations



When estimating the cost of new workpieces, it can be very helpful to orient yourself on workpieces that have already been manufactured. The PartCalculator software with its archive function offers you a very useful tool for significantly reducing your calculation efforts.

An overview of all previous calculations gives you quick access to already determined values. If necessary, you can adjust the corresponding parameters and in a very short time generate a new calculation that also takes empirical values into account.



► **We provide advisory support for all products and services of the Digital Shop Floor**

+49 8669 31-5000 or
user-desk@heidenhain.de

► **For more information about our Digital Shop Floor products, visit**
www.digital-shop-floor.heidenhain.com

► **Also visit us on LinkedIn**
[www.linkedin.com/showcase/
heidenhain-digital-shop-floor/](http://www.linkedin.com/showcase/heidenhain-digital-shop-floor/)

Everything B2B users need in a single platform



**HEIDENHAIN
SHOP**



HEIDENHAIN
worldwide

HEIDENHAIN

DR. JOHANNES HEIDENHAIN GmbH

Dr.-Johannes-Heidenhain-Straße 5

83301 Traunreut, Germany

☎ +49 8669 31-0

FAX +49 8669 32-5061

info@heidenhain.de

www.heidenhain.com

09/2023 · PDF